



# MODEL 254 MANUAL DIAPHRAGM PUMP

## Offset Drive

### 1 1/2" NPT PORTS



- VOLUMES TO 18 GPM
- POWERFUL VACUUM LIFTS
- DRY START LIFT TO 15'
- PUMP UP TO 50% SOLIDS
- LOW EMULSIVE & SHEER ACTION
- NON-CLOGGING FLOW THRU DESIGN
- EASY TO SET-UP, USE, CLEAN, AND MAINTAIN
- BUILT TOUGH FOR YEARS OF SERVICE
- LONG LIFE, REINFORCED PUMP DIAPHRAGMS

Edson's Model 254 Offset Drive Manual Diaphragm Pump is a hand pump designed for the purpose of transferring liquids. With a self priming suction lift of 15 ft it can lift liquids that are well below the level of the pump. This feature combined with the 1 1/2" flow thru design make it ideal for pumping liquids with large suspended solids. "IF IT FLOWS THRU THE HOSE, IT WILL GO THRU THE PUMP."

Review the general applications listed on the next page and you will see that this pump can meet a broad range of pumping needs.

The offset feature allows the pump to be installed behind a vertical surface such as a seat riser on a sailboat. The stainless drive shaft extends thru the wall to the other side. The stainless handle socket is then fixed to the shaft and the pump can be operated while the pump remains hidden behind the wall. If this drive arm and handle orientation is not to your liking, consider one of our other models. There are 3 other versions of this pump with different drive arm orientations.

If you need a go anywhere pump capability, see the Portable Pump Kits Model 165.

If you need increased flow rates check out the Edson 30 GPM models.

**Performance:**

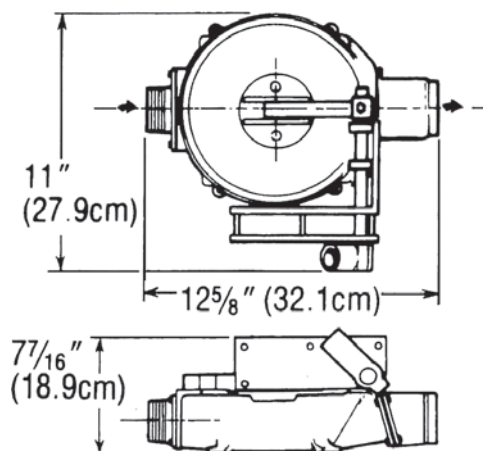
Static Suction Lift .....	18ft./5.47m
Dry Suction Lift .....	15ft./4.57m
Dishcharge Head .....	18ft./5.47m
Max Volume .....	18 GPM/76 LPM*
	*at 46 Strokes Per Min.

**Ports Size:**

Inlet .....	1 1/2" Male NPT
Discharge .....	1 1/2" Female NPT

**Construction:**

Pump Base .....	Choice of:
(Wetted Parts)	Anodized Aluminum
	Marine Bronze
Diaphragms & Valves.....	Choice of:
	Nitrile
	Viton®
Hardware Material .....	Stainless Steel



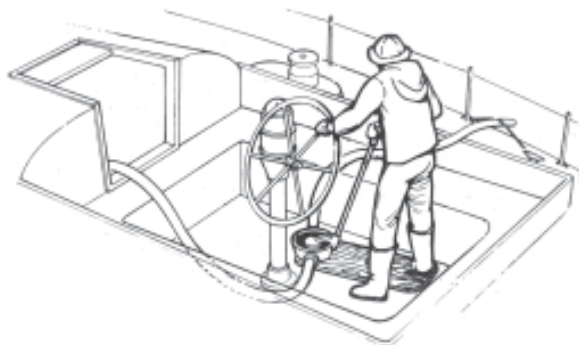
Description	Material	Port Sz	Weight Lb / Kg	Order No
Offset Drive 18	Aluminum	1 1/2"	8.8 / 4.0	254AL-150
Offset Drive 18	Bronze	1 1/2"	19.3 / 8.8	217BR-150
<b>Options</b>				
Diaphragm & Valves	Viton®			230-11318V

Viton® is a registered trademark of DuPont Dow Elastomers L.L.C.



**APPLICATIONS** The popularity of the Edson Manual Diaphragm Pumps is due to their size, capacity, and versatility. They are used for the collection and transfer of waste liquids and pumping liquids with suspended solids. They are capable of handling liquids with large suspended solids without clogging, to prime from dry starts, and to run dry. These basic performance features combined with the unequalled construction make them applicable to a very diverse list of applications.

**MARINE APPLICATIONS** The manual pumps can be used as bilge pumps, for holding-tank pump outs, wash-down pump, makeshift shower—or all of the above! Their worth to a blue water sailor are the ability to pump faster than a scared man with a bucket.

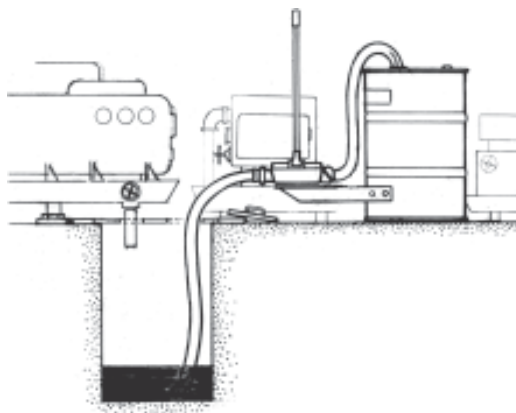


**MARINE**

- Bilge Pumps
- Emergency Dewatering
- Boatyard Utility Pump
- Oil Spill Cleanup
- Pump Out Holding Tanks

**INDUSTRIAL**

- Sump Pump-Outs
- Slurry Transfer
- Abrasive Pumping
- Oil Spill Cleanup
- Groundwater Removal



**ENVIRONMENTAL**

- Tank Pumpouts
- Grease & Oil Collections
- Skimming Pumping
- Asbestos Cleanups
- Oil-Water Separation
- Oil Spill Cleanup

**MUNICIPAL & UTILITY**

- Meter Pit Dewatering
- Manhole Dewatering Sewage
- Collection & Transfer
- Waste Water Skimming
- Drain Clean-out
- Utility Trunk Pump
- Fly Ash Cleanups
- Containment Transfer

