

# EDSON

## Pump Division

## MODEL 120E

### ELECTRIC POWERED DIAPHRAGM PUMP

#### 2" - 40 GPM



120ELB-40-200



120EWA-40-200

All models are available in heavy duty bronze or lightweight aluminum.

- SAFE TO RUN WHEN DRY
- VOLUMES TO 38 GPM
- POWERFUL VACUUM LIFTS
- DRY START LIFT TO 1
- PUMP UP TO 50% SOLIDS
- LOW EMULSIVE & SHEER ACTION
- NON-CLOGGING FLOW-THRU DESIGN
- EASY TO SET-UP, USE, CLEAN, AND MAINTAIN
- PERMANENT AND PORTABLE APPLICATIONS
- BUILT TOUGH FOR YEARS OF SERVICE
- LONG LIFE, REINFORCED PUMP DIAPHRAGMS
- ALL MATERIALS SPECIFIED FOR THE MARINE ENVIRONMENT

#### APPLICATIONS

Edson Electric Powered Diaphragm Pumps are the most popular of all Edson Pumps due to their size, capacity, versatility and the economy of electric drives. They are used for the collection and transfer of waste liquids and pumping liquids with suspended solids. They are capable of handling liquids with large suspended solids without clogging, to prime from dry starts, and to run dry. They have the added feature of low emulsive, non-sheering pumping action. These basic performance features & Edson's 14 year history of manufacturing quality products have made our pumps the choice for cleaning up our environment and controlling the disposal of liquid waste. These pumps can be applied to a very broad range of applications including the requirements for ground water remediation, containment transfers, dewatering, oil & water separations, marina & campground sewage collection, tank, sump and drum transfers, filtration applications, and the collection & transfer of abrasives & slurries.

#### Performance:

Static Suction Lift .....	15 ft./4.57m
Dry Suction Lift .....	12 ft./3.65m
Discharge Head .....	15 ft./4.57m
Coninuous Duty Discharge Head .....	15 ft./4.57m
Max Volume .....	40 GPM/152 LPM*

\*at 60 cycles per minute

#### Construction:

Pump Base .....	Choice of:
(Wetted Parts)	Anodized Aluminum
	Marine Bronze
	Urethane Powder Coating
	PTFE Coating (HALAR)
Diaphragms & Valves .....	Choice of:
	Nitrile
	Viton®
	Hypalon®
Mounting Frame .....	Powder Coated Aluminum
Hardware Material .....	Stainless Steel

#### Drives:

Electric Powered .....	3/4hp/115/230V/1ph/tefc gear motor
	or choice of close coupled: 3/4 hp tefc motors,
	all voltages, 1 ph or 3 ph, including explosion-
	proof, 12v and 24v motors

#### INDUSTRIAL

Sump Pump-Outs  
Slurry Transfer  
Abrasive Pumping  
Filtration Pumping  
Drum Transfer  
Groundwater Containment  
Spill Cleanup  
Drain Dewatering

#### ENVIRONMENTAL

Groundwater Remediation  
Tank Pump-Outs  
Grease & Oil Collections  
Skimming Pumping  
Asbestos Clean-Ups  
Oil-Water Separation  
Oil Spill Clean-Up

#### MARINE

Pump-Out Stations  
On-Board Waste  
Bilge Pumps  
Light Dredging  
Emergency Dewatering  
Boatyard Utility Pump  
Oil Spill Cleanup

#### MUNICIPAL & UTILITY

Sewage Collection & Transfer  
Waste Water Skimming  
Drain Clean-Out  
Utility Trunk Pump  
Fly Ash Clean-Ups  
Containment Transfer  
Meter Pit Dewatering Manhole  
Dewatering



## GENERAL DESCRIPTION

**Order Nos. 120ELA-40-200 and 120ELB-40-200** are the Edson 3/4 HP electric powered, skid mounted, nominal 40 gallon per minute, 2" NPT, diaphragm pumps. The 120ELA is built with the wetted parts made of anodized aluminum and the 120ELB wetted parts are marine bronze. **Order Nos. 120EWA-40-200 and 120EWB-40-200** are the cart mounted version with wheels and handle for portability. The standard models are supplied with a 55 rpm, single phase, 115/230 volt, 60 hz., tefc gear motor as standard drive. With this drive these pumps will operate at 56 cycles per minute and perform as detailed in the performance chart below.

The pumps can be ordered with optional motors and optional gear reducers that allow them to operate at variable speeds, or at 5 optional fixed speeds. The performance charts below detail the pumps performance at these optional fixed speeds and provide a representation of performance for the pump equipped with a variable speed motor.

The pumps can also be ordered with additional options that include three phase 208-230/440 volt motors, 12 or 24 volt dc motors and explosion proof motors. For pumping materials that require rubber with different chemical resistant properties Edson offers optional diaphragms and valves made of Viton®.

**Call Edson Customer Service for more details.**

## VOLUME PERFORMANCE CHARTS

56 Cycles Per Min.	DISCHARGE HEIGHT			40 Cycles Per Min.	DISCHARGE HEIGHT			36 Cycles Per Min.	DISCHARGE HEIGHT			
	0	5 ft 1.5 m	10 ft 3 m		0	5 ft 1.5 m	10 ft 3 m		0	5 ft 1.5 m	10 ft 3 m	
SUC- TION H- EIGHT	1 ft .3 m	38/144	32/121	24/91	1 ft .3 m	27/102	23/87	17/64	1 ft .3 m	24/92	21/78	15/58
	5 ft 1.5 m	30/114	30/114	23/87	5 ft 1.5 m	21/81	21/81	16/62	5 ft 1.5 m	19/73	19/73	15/56
	10 ft 3 m	28/106	26/98	16/61	10 ft 3 m	20/76	19/70	11/43	10 ft 3 m	18/68	17/63	10/39
	12 ft 3.7 m	28/106	26/98	14/53	12 ft 3.7 m	20/78	19/70	10/38	12 ft 3.7 m	18/68	17/63	8/30
gpm / lpm				gpm / lpm				gpm / lpm				
30 Cycles Per Min.	DISCHARGE HEIGHT			20 Cycles Per Min.	DISCHARGE HEIGHT			13 Cycles Per Min.	DISCHARGE HEIGHT			
	0	5 ft 1.5 m	10 ft 3 m		0	5 ft 1.5 m	10 ft 3 m		0	5 ft 1.5 m	10 ft 3 m	
SUC- TION H- EIGHT	1 ft .3 m	20/77	19/72	17/64	1 ft .3 m	14/52	11/42	9/34	1 ft .3 m	9/34	7/26	5/20
	5 ft 1.5 m	17.5/66	17/64	16/61	5 ft 1.5 m	11/42	11/42	8/31	5 ft 1.5 m	7/26	7/26	5/20
	10 ft 3 m	17/64	16/61	15/57	10 ft 3 m	10/38	9/34	6/22	10 ft 3 m	7/26	6/23	4/14
	12 ft 3.7 m	13/49	12/47	10/38	12 ft 3.7 m	10/38	9/34	5/19	12 ft 3.7 m	7/26	6/23	3/12
gpm / lpm				gpm / lpm				gpm / lpm				

## ORDERING INFORMATION

DESCRIPTION	MATERIAL	WEIGHT LBS / KGS	ORDER NO.
Skid Mount	Aluminum	79 / 35.8	120ELA-40-200
Cart Mount	Aluminum	103 / 46.7	120EWA-40-200
Skid Mount	Bronze	97 / 44.1	120ELB-40-200
Cart Mount	Bronze	123 / 55.8	120EWB-40-200

## OPTIONS

DESCRIPTION	ORDER NO.
Viton® Diaphragms & Valves	230-1130V
Hypalon® Diaphragms & Vales	230-1130H
Polyurethane Coating	230-PC
Halar	230-HALAR

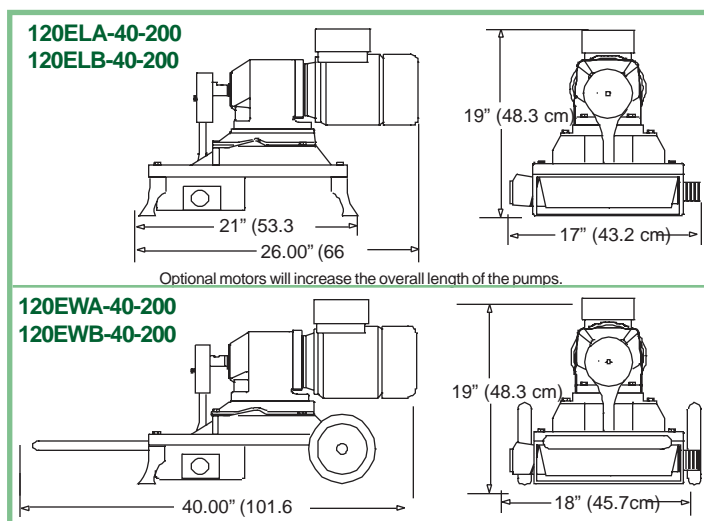
Edson offers many motor options - 3Phase, 50HZ, 12Volt DC, 24Volt DC, and 90Volt DC Explosion Proof.

Edson also offers 4 optional "C-Face" gear reducers.

A combination of a motor and a gear reducer will provide one of the six cycle rate shown in the above performance charts.

Inverters and inverter grade motors are available for variable speed requirements.

## DIMENSIONS



Viton® and Hypalon® are a registered trademark of DuPont Dow Elastomers L.L.C.

