



MODEL 120G GASOLINE POWERED DIAPHRAGM PUMP 2" - 40 GPM

120GLB-200



120GWA-200



All models are available in heavy duty bronze or lightweight aluminum

- SAFE TO RUN WHEN DRY
- VOLUMES TO 38 GPM
- POWERFUL VACUUM LIFTS
- DRY START LIFT TO 12'
- PUMP UP TO 50% SOLIDS
- LOW EMULSIVE & SHEER ACTION
- NON-CLOGGING FLOW-THRU DESIGN
- EASY TO SET-UP, USE, CLEAN, AND MAINTAIN
- PERMANENT AND PORTABLE APPLICATIONS
- BUILT TOUGH FOR YEARS OF SERVICE
- LONG LIFE, REINFORCED PUMP DIAPHRAGMS
- ALL MATERIALS SPECIFIED FOR THE MARINE ENVIRONMENT

APPLICATIONS

Edson Gasoline Powered Diaphragm Pumps are designed for tough jobs and remote and mobile applications such as: dewatering excavation sites, municipal and utility vehicles, waste oil collection, oil spill clean-up, HAZMAT pumping, sewage collection, well monitoring, mill pond dewatering, farm waste pumping, and marine light dredging. They are used for the collection and transfer of waste liquids and pumping liquids with suspended solids. They are capable of handling liquids with large suspended solids without clogging, to prime from dry starts, and to run dry. They have the added feature of low emulsive, non sheering pumping action. These basic performance features and Edson's 140 year history of manufacturing quality products have made our pumps the choice for cleaning up our environment and controlling the disposal of liquid waste. Evident by the list below the pumps can be applied to a very broad range of applications including the requirements for dewatering, oil and water separations, marina and campground sewage collection, tank, sump and drum transfers and the collection and transfer of abrasives slurries.

Performance:

Static Suction Lift	15 ft./4.57m
Dry Suction Lift	12 ft./3.65m
Discharge Head	15 ft./4.57m
Coninuoou Duty Discharge Head	15 ft./4.57m
Max Volume	40 GPM/152 LPM*

*at 60 cycles per minute

Construction:

Pump Base	Choice of:
(Wetted Parts)	Anodized Aluminum
	Marine Bronze
	Urethane Powder Coating
	PTFE Coating (HALAR)
Diaphragms & Valves	Choice of:
	Nitrile
	Viton®
	Hypalon®
Mounting Frame	Powder Coated Aluminum
Hardware Material	Stainless Steel

Drives:

Gasoline PoweredClose Couples 3.5 hp Gasoline Engine*

* Can be converted to electric by unbolting engine and mounting a 56C frame motor.

INDUSTRIAL

Sump Pump-Outs
Drum Transfer
Spill Cleanup
Drain Dewatering

MARINE

Pump-Out Stations
Light Dredging
Emergency Dewatering
Boatyard Utility Pump
Oil Spill Cleanup

ENVIRONMENTAL

Tank Pump-Outs
Grease & Oil Collections
Skimming Pumping
Asbestos Clean-Ups
Oil Spill Clean-Up

MUNICIPAL & UTILITY

Sewage Collection & Transfer
Waste Water Skimming
Drain Clean-Out
Utility Trunk Pump
Fly Ash Clean-Ups
Containment Transfer
Meter Pit Dewatering
Manhole Dewatering



GENERAL DESCRIPTION

Edson Gasoline Powered Diaphragm Pumps are designed for tough jobs and remote and mobile applications such as: dewatering excavation sites, municipal and utility vehicles, waste oil collection, oil spill clean-up, HAZMAT pumping, sewage collection, well monitoring, mill pond dewatering, farm waste pumping, and marine light dredging.

Order Nos.120GLA-200 and 120GLB-200 are the Edson gasoline engine powered, skid mounted, nominal 40 gallon per minute, 2", NPT, diaphragm pumps. The 120GLA is built with the wetted parts made of anodized aluminum and the 120GLB wetted parts are marine bronze. **Order Nos.120GWA-200 and 120GWB-200** are the cart mounted version with wheels and handle for portability. The standard models are supplied with a 3.5 HP gasoline engine and a 57 to 1 ratio gear reducer as standard components. With this combination of motor and reducer these pumps will operate at 56 cycles per minute and perform as detailed in the 56 cycle performance below. The unique direct coupling of the gasoline engine to the gear reducer provides the option to power this pump with an electric motor at any time.

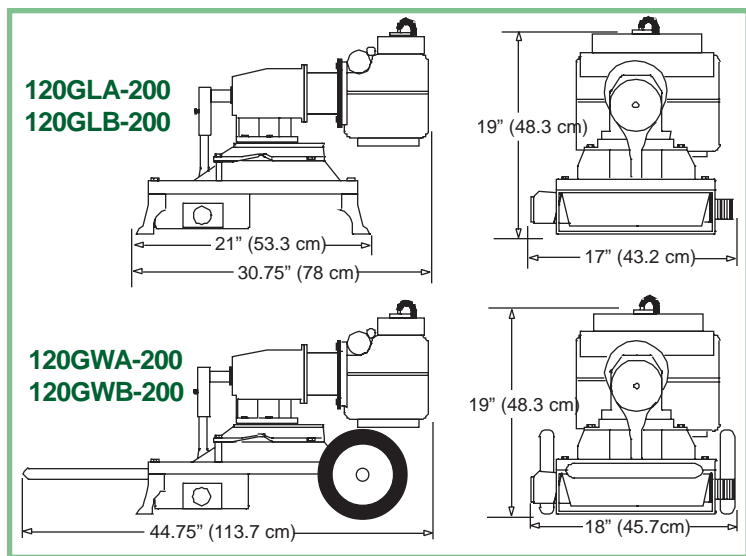
The performance charts below detail the pumps performance at different speeds. For pumping materials that require rubber with different chemical resistant properties Edson offers optional diaphragms and valves made of Viton® or Hypalon®.

Call Edson Customer Service for more details.

VOLUME PERFORMANCE CHARTS

56 Cycles Per Min.	DISCHARGE HEIGHT			40 Cycles Per Min.	DISCHARGE HEIGHT			36 Cycles Per Min.	DISCHARGE HEIGHT					
	0	5 ft 1.5 m	10 ft 3 m		0	5 ft 1.5 m	10 ft 3 m		0	5 ft 1.5 m	10 ft 3 m			
DISCHARGE HEIGHT	1 ft .3 m	38/144	32/121	24/91	DISCHARGE HEIGHT	1 ft .3 m	27/102	23/87	17/64	DISCHARGE HEIGHT	1 ft .3 m	24/92	21/78	15/58
	5 ft 1.5 m	30/114	30/114	23/87		5 ft 1.5 m	21/81	21/81	16/62		5 ft 1.5 m	19/73	19/73	15/56
	10 ft 3 m	28/106	26/98	16/61		10 ft 3 m	20/76	19/70	11/43		10 ft 3 m	18/68	17/63	10/39
	12 ft 3.7 m	28/106	26/98	14/53		12 ft 3.7 m	20/78	19/70	10/38		12 ft 3.7 m	18/68	17/63	8/30
gpm / lpm				gpm / lpm				gpm / lpm						
30 Cycles Per Min.	DISCHARGE HEIGHT			20 Cycles Per Min.	DISCHARGE HEIGHT			13 Cycles Per Min.	DISCHARGE HEIGHT					
	0	5 ft 1.5 m	10 ft 3 m		0	5 ft 1.5 m	10 ft 3 m		0	5 ft 1.5 m	10 ft 3 m			
DISCHARGE HEIGHT	1 ft .3 m	20/77	19/72	17/64	DISCHARGE HEIGHT	1 ft .3 m	14/52	11/42	9/34	DISCHARGE HEIGHT	1 ft .3 m	9/34	7/26	5/20
	5 ft 1.5 m	17.5/66	17/64	16/61		5 ft 1.5 m	11/42	11/42	8/31		5 ft 1.5 m	7/26	7/26	5/20
	10 ft 3 m	17/64	16/61	15/57		10 ft 3 m	10/38	9/34	6/22		10 ft 3 m	7/26	6/23	4/14
	12 ft 3.7 m	13/49	12/47	10/38		12 ft 3.7 m	10/38	9/34	5/19		12 ft 3.7 m	7/26	6/23	3/12
gpm / lpm				gpm / lpm				gpm / lpm						

DIMENSIONS



ORDERING INFORMATION

DESCRIPTION	MATERIAL	WEIGHT	ORDER NO.
		LBS / KGS	
Skid Mount	Aluminum	79 / 35.8	120ELA-40-200
Cart Mount	Aluminum	103 / 46.7	120EWA-40-200
Skid Mount	Bronze	97 / 44.1	120ELB-40-200
Cart Mount	Bronze	123 / 55.8	120EWB-40-200

Option order # is added to the basic pump order #, ie 120GWB-200 w/ 230-A-1744 & 230-1130V

OPTIONS

DESCRIPTION	ORDER NO.
Viton® Diaphragms & Valves	230-1130V
Hypalon® Diaphragms & Vales	230-1130H
Polyurethane Coating	230-PC
Halar	230-HALAR

Viton® and Hypalon® is a registered trademark of DuPont Dow Elastomers L.L.C.

