

270 BR-150 EDSON PUMP OUT STATION HYDRANT

1. Assemble Hydrant Per Photo

- Use Pipe Sealant On All Threads When Assembling Components.

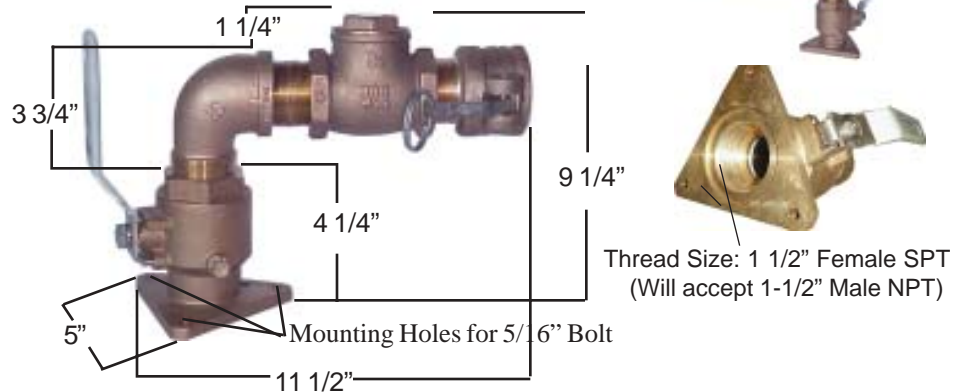


2. Install the Hydrant at Pump Out Location.

- Position the hydrant so that the pump out hose can easily reach the boats to be pumped and so the suction plumbing to the pump is connected to the 1/12" Female Straight Pipe Thread on the underside of the mounting flange.
- Support hydrant with a plumbing hanger if necessary.
- Secure hydrant to surface with appropriate hardware.



3. Flange Dimensions



4. Parts List

Key No.	Order Number
1	160-A-2551-150
2	160-A-1708-150
3	160-A-1711-150
4	269BR-150
5	152FM-150BR

