

# EDSON<sup>®</sup> PUMPS

1

146 Duchaine Blvd.  
New Bedford, MA 02745  
Tel. 508/995-9711, Fax # 508/995-5021  
e-Mail: pumps@edsonint.com

## 28621 / 28623 / 28624 Platinum Series Peristaltic Pump

### General Description:

The 2862\*\* is Edson premium peristaltic pump. It combines ease of maintenance with power and reliability. The pump is available in many configurations.

### Performance Features:

- Up to 43 GPM
- 140' Discharge Pressure
- 28' Suction Lift

### Construction:

- Marine Grade Aluminum Castings
- Stainless Steel Hardware
- 2" NPT Connections
- 3hp Motor TEFC (5hp Available)
- 1 ph or 3ph versions available
- Many Voltage, Phase Options Available
- Epoxy Painted Exterior
- Natural Rubber Internal Hose
- Edson's Easy Change Internal Hose

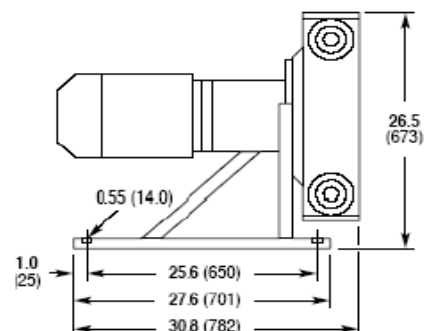
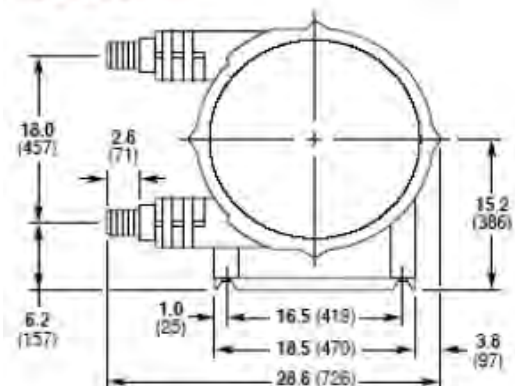
### Options Available:

- Internal Leak Detector
- 3 or 5 hp TEFC Motor
- Explosion Proof Motor
- Variable Frequency Drive
- Low Voltage/ Timer Controls
- RF Radio Controls
- Many more options shown on accessories page

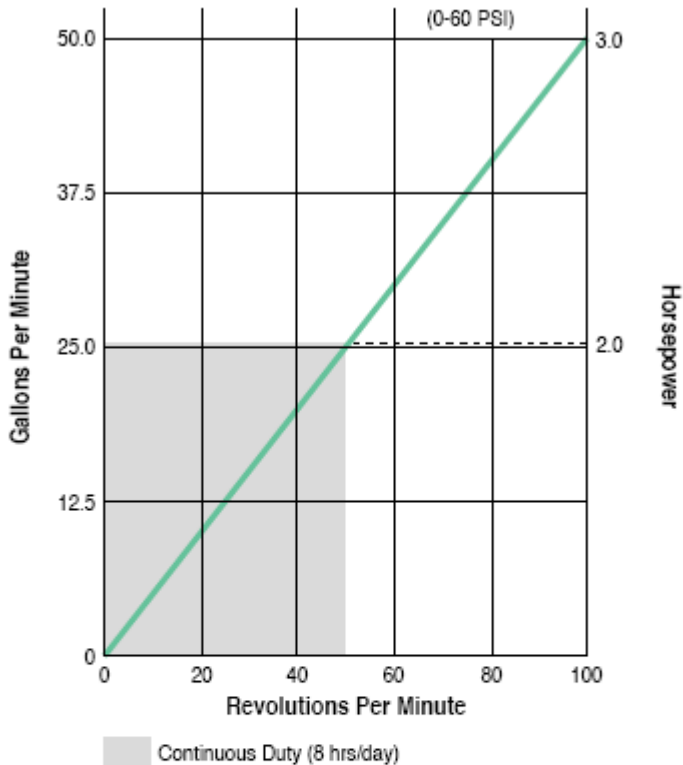


### Dimensions

inches (mm)



# EDSON<sup>®</sup> PUMPS



## Specifications

Discharge Pressure	60 psi (4.1 bar) max
Suction Lift	24 ft (7.3 m)
Suction Pressure (max)	25 psi (1.7 bar)
Horsepower (max) <sup>1</sup>	3
Hose Size	45 x 75 x 1455 mm
Displacement	0.51 gal/rev
Weight (pump only)	185 lbs (84 kg)
Weight with Drive	275 lbs (125 kg)

<sup>1</sup> Pumps are shaft driven and require a gearbox and motor. See Ordering Information for details.

## Fluid Characteristics

Viscosity	15,000 cps (max)
Liquid Temperature	180°F (82° C) (max)
Solid Size	1/4 inch (6.3 mm) (max)
Fiber Length	2-3/8 inch (60 mm) (max)

## Drive

	Flow GPM	Gear Ratio	Pump RPM	Max PSI
<b>3Ø, 1-1/2 BHP TEFC, 230-460 VAC, 60 Hz</b>				
<b>4:1 Constant Torque Speed Range</b>				
<b>B2</b>	7.1	121:1	14	45(60)
<b>D2</b>	10.5	82:1	21	45(60)
<b>3Ø, 2 BHP TEFC, 230-460 VAC, 60 Hz</b>				
<b>4:1 Constant Torque Speed Range</b>				
<b>F2</b>	15.3	58:1	30	45(60)
<b>H2</b>	20.4	43:1	40	45(60)
<b>J2</b>	25.8	33:1	51	40(55)
<b>3Ø, 3 BHP TEFC, 230-460 VAC, 60 Hz</b>				
<b>3:1 Constant Torque Speed Range</b>				
<b>L2</b>	40.5	21:1	80	35(45)



146 Duchaine Blvd., New Bedford, MA 02745

Tel. 508-995-9711

Fax 508-995-5021

[www.edsonpumps.com](http://www.edsonpumps.com)

[pumps@edsonintl.com](mailto:pumps@edsonintl.com)

# OPTIONS

## Stainless Steel Cover Order No. 26151

Available in 304 or 316 stainless steel this modular cover comes complete with hour meter and start/stop controls. It measures 34" x 34" x 36" (86.36cm x 86.36cm x 91.44cm). Shown here with optional hose rack and fitting rack.



## Hose Stands Order Nos. 260

White Powder Coated Aluminum or Stainless, for pump out stations setup remote from the pump. They can be equipped with start/stop buttons or token operated starter. All versions come with Operation Instruction Sign and (4) 1/2" X 7" Aluminum Hex Head Mounting Bolts.



## Control Panel Timer Order No. 161-A-2324 Control Panel Installed On Pump Unit. Order No. 161-K-0006B

High impact resistant NEMA4X rated enclosure comes complete with contactor, programmable run timer and step down transformer for low 24 volt power at the start/stop controls. It includes terminal connections for the remote start/stops.



## Stainless Deck Fitting Rack Order No. 26045

Stainless steel wire form designed to organize loose deck adapters. The rack holds up to four fittings most often used in performing pump outs. No need to keep a bucket or box for your adapters. The rack mounts vertically with predrilled feet that makes it simple to mount on a pole, wall, hose stand or the pump cover.

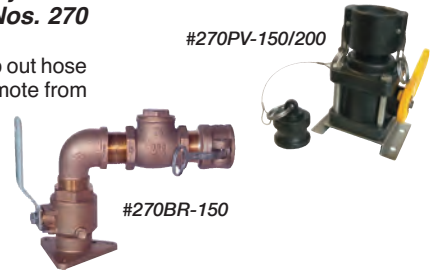
## Recessed Hydrant Containers Order Nos. 265

Used to hide pump out hydrants out of the way, below the dock. Available in aluminum or heavy duty plastic. Both come with a flush aluminum cover.



## Pumpout Hydrants Order Nos. 270

Used for connecting a pump out hose to a central suction line remote from the pumping unit.



## Hose Rack Order No. 26000

Mounts to any vertical surface including enclosures. Holds up to 75 ft of 1 1/2" hose.



## Optional Length Hose Assemblies Up To 100 ft In Length

Edson can provide any continuous length pumpout hose from 5 ft to 100ft. What ever is required for the installation



# OTHER PUMP OPTIONS

## Peristaltic Pump Units - Diaphragm Pump Units

Need a pump with greater discharge capability or just more power consider the Edson peristaltic pump units. Available from 3/4Hp to 5Hp.



3/4 HP Diaphragm  
Order No.120ELB-40-200



Double Diaphragm  
Order No. 25200



3/4 HP Peristaltic  
Order No. 286EP-.75HP



2 HP Peristaltic  
Order No. 286EP-2HP



146 Duchaine Blvd., New Bedford, MA 02745

Tel. 508-995-9711

Fax 508-995-5021

[www.edsonpumps.com](http://www.edsonpumps.com)

pumps@edsonintl.com