

# EDSON PUMPS® Data Sheet

## 28204 40 Gallon Pumpout Cart

### Design Features

- Marine Grade Aluminum
- Powder Coated
- 1<sup>7</sup>/<sub>8</sub>" Ball Hitch Receiver
- Integrated Handle/Tow-Bar
- 40 Gallon Roto-Molded PE Tank
- Aluminum Hose Rack
- 20' Discharge Hose
- Parking Brake

### General Description

The 28204 (40 gal) Pumpout Cart is an ideal way to provide pump out service throughout the marina without installing plumbing. Boat yards frequently need to pump out a boat either when in dry dock or when pulling the boat for the season.

The portable design can be integrated into a plumbing infrastructure to provide a fixed station throughout the marina and become portable as needed. The compact 40 gallon unit is designed to fit down 30" ganways. The versatile cart is designed to accept our diaphragm pump options, or the powerful peristaltic options shown below.

The versatile cart is designed to accept our diaphragm pump options, or the powerful peristaltic options shown below.



#### 28204 Pumpout Cart

Shown with Double Diaphragm Pump

Weight	
40 Gallon Cart and discharge hose (No Pump or intake Hoses)	120 lbs   54.4311 kg

## Pump Options for Cart



#### #25261 DOUBLE DIAPHRAGM

- 3/4HP 120V 1PH
- 25' Suction Lift
- 25' Discharge Head
- Up to 25 GPM
- Poly Construction



#### #120EL SINGLE DIAPHRAGM

- 3/4HP 120V 1PH
- 12' Suction Lift
- 12' Discharge Head
- Up to 38 GPM
- Aluminum or Bronze



#### #28631 SILVER PERISTALTIC

- Up to 2HP | 1PH or 2PH
- 24' Suction Lift
- Up to 100' Discharge Head
- Up to 22 GPM
- Marine Grade Aluminum

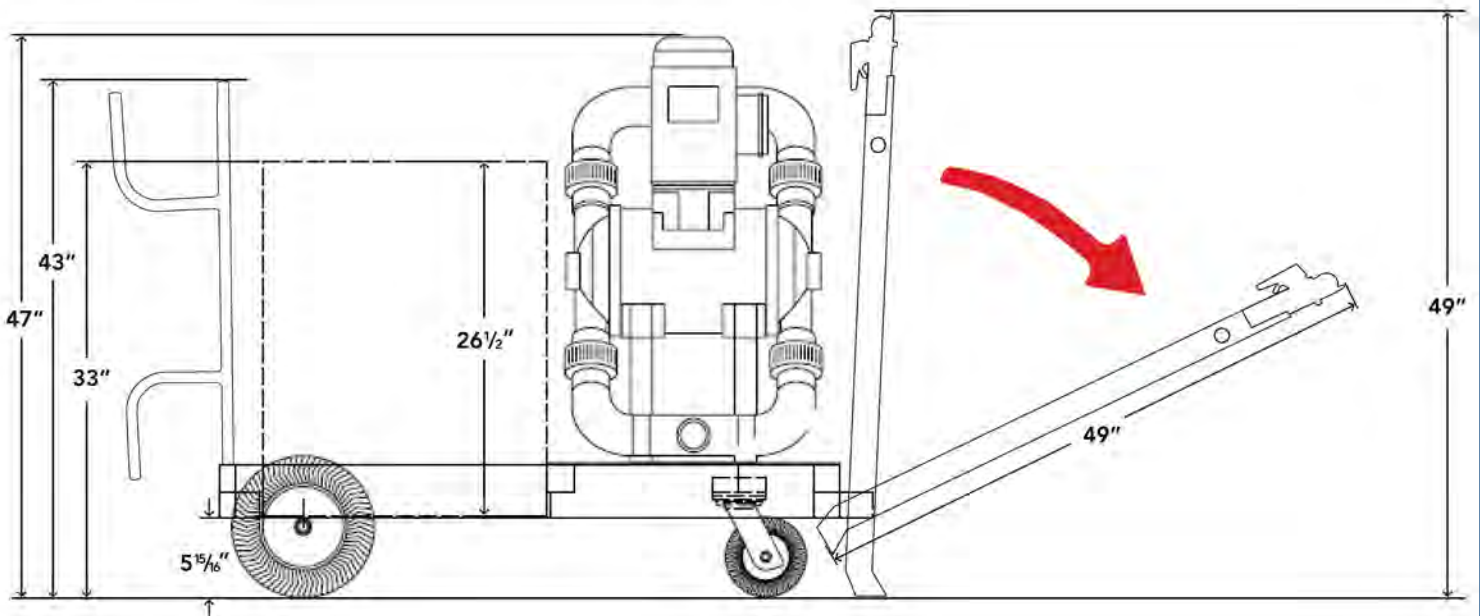
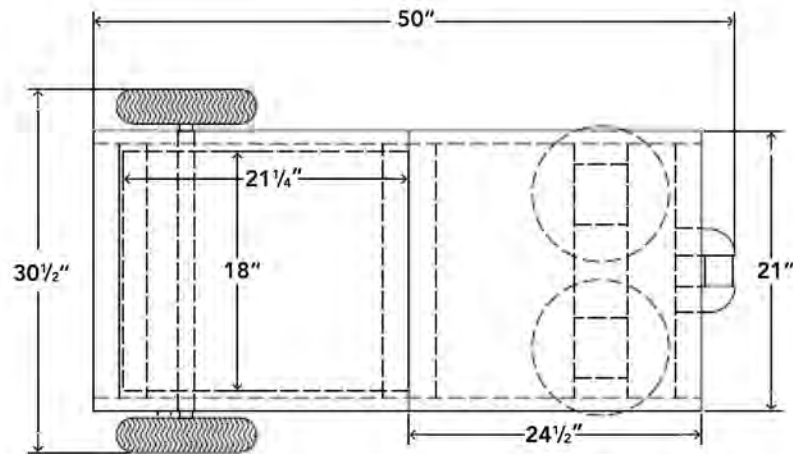
**HONDA GASOLINE ENGINES ALSO AVAILABLE.**



www.EdsonPumps.com | 1-508-995-9711 | pumps@edsonintl.com

# EDSON PUMPS®

## 28204 40 Gallon Pumpout Cart



**EDSON®**

[www.EdsonPumps.com](http://www.EdsonPumps.com) | 1-508-995-9711 | [pumps@edsonintl.com](mailto:pumps@edsonintl.com)

# EDSON PUMPS

## 261 Pumpout Hose Assemblies



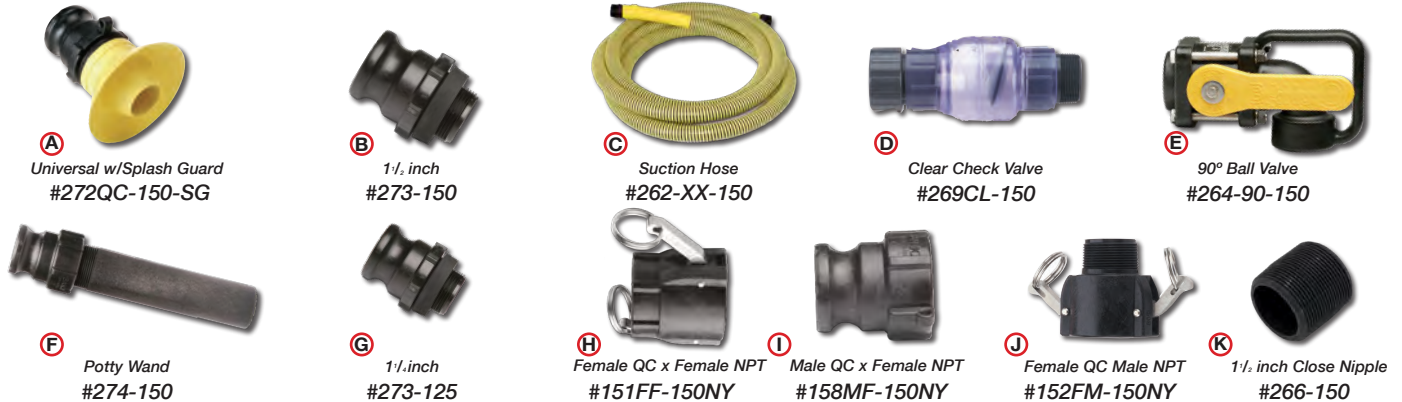
#261-25-150  
25ft Assembly Shown

**Standard Length Assemblies**  
 25 ft. Order No. 261-25-150  
 33 ft. Order No. 261-33-150  
 50 ft. Order No. 261-50-150  
**Custom Length Assemblies 5ft to 100ft**

The Edson Pumpout Hose (length 25 Ft [picture to the left], 1½" ID x 2" OD, EPDM tube with Polyethylene helix) comes complete with all fittings and adapters including 90° ball valve and sight glass. It's two part construction of smooth inner bore and rugged outer spiral cap provides a pump out hose that is corrosion resistant, extremely flexible, crush-proof, collapse-proof and abrasive resistant. It can be used with any suction pump and at 104 degrees F has a vacuum rating of 28" Hg and pressure rating of 35 psi.

### Deck Adapters (Included)

### Assembly Components (Included)



**A** Universal w/Splash Guard  
#272QC-150-SG

**B** 1/1. inch  
#273-150

**C** Suction Hose  
#262-XX-150

**D** Clear Check Valve  
#269CL-150

**E** 90° Ball Valve  
#264-90-150

**F** Potty Wand  
#274-150

**G** 1/1. inch  
#273-125

**H** Female QC x Female NPT  
#151FF-150NY

**I** Male QC x Female NPT  
#158MF-150NY

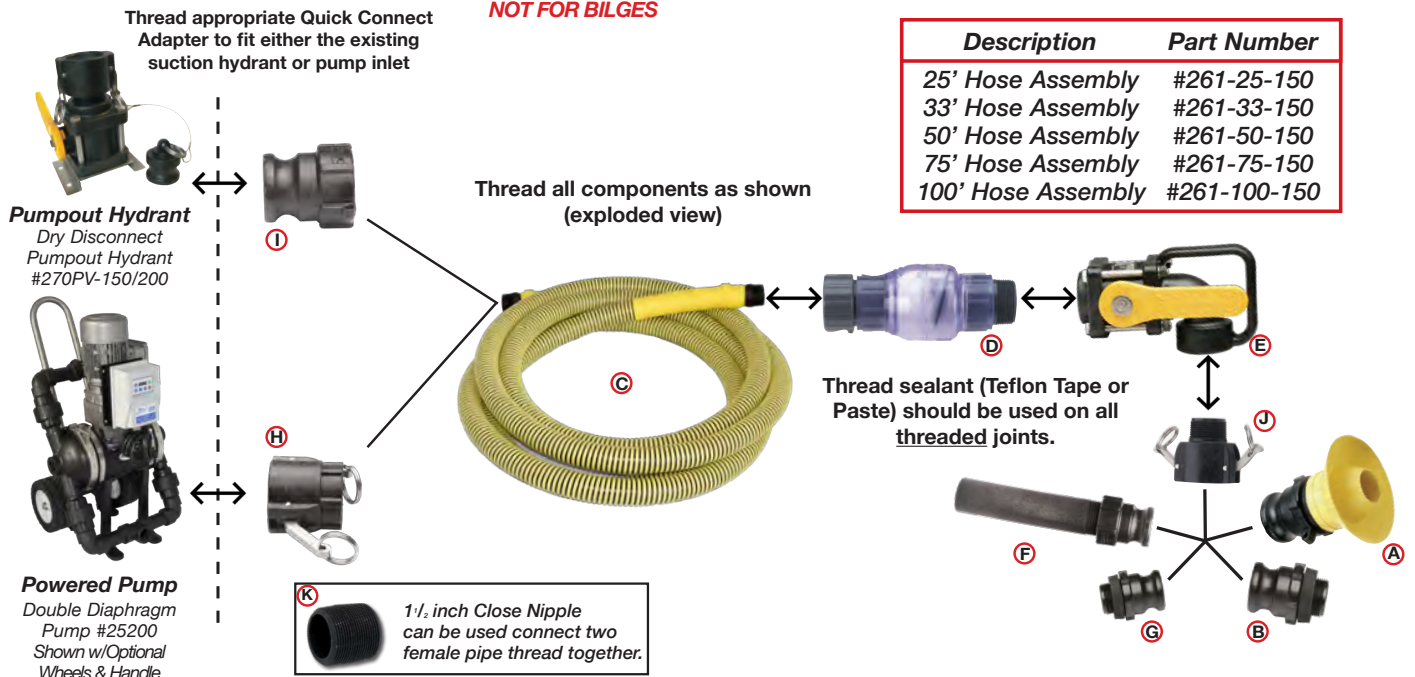
**J** Female QC Male NPT  
#152FM-150NY

**K** 1/1. inch Close Nipple  
#266-150

### Assembly Instructions:

Insert appropriate size deck fitting adapter to fit boat waste/sewage connector.  
**NOTE: Use threaded adapters when possible for best results. Potty wand is for portable toilets only. NOT FOR BILGES**

Description	Part Number
25' Hose Assembly	#261-25-150
33' Hose Assembly	#261-33-150
50' Hose Assembly	#261-50-150
75' Hose Assembly	#261-75-150
100' Hose Assembly	#261-100-150



Call or e-mail us for a Quote at 1-888-351-7782 or pumps@edsonintl.com  
 or go to: www.EdsonPumps.com